

**Recommended Spare Parts - Safety Relief Valves
1970-1975 Portables - Conventional Design**

**Discontinued Design
Limited Availability of Parts**

SRV/SPRL - 1/02

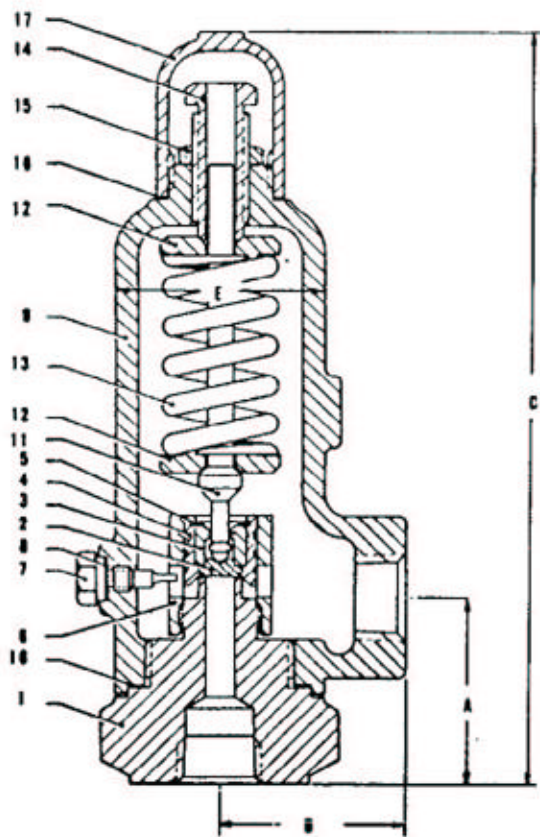
Effective June, 2002

Supersedes SRV / SPRL - 1/01

Dated April, 2001

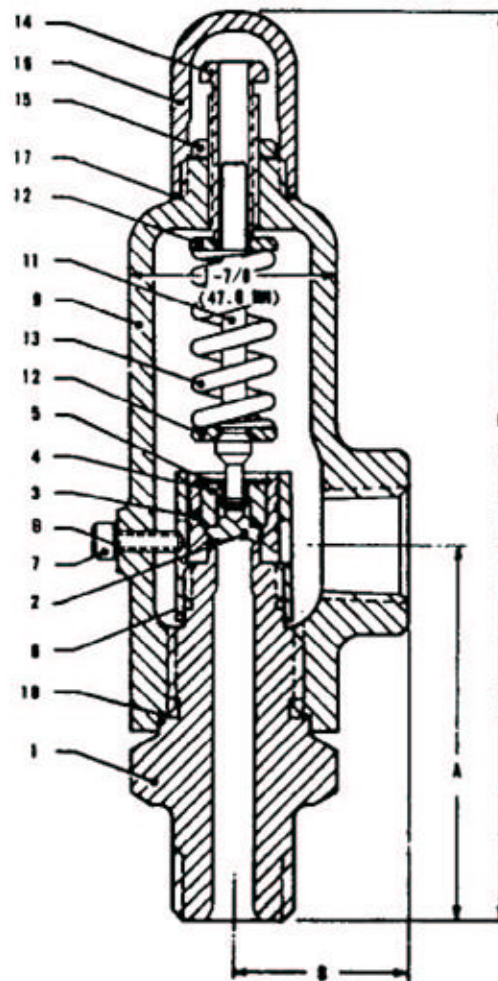
Section 9, Page 1

CLASS	PART NAME	C-CONVENTIONAL	QTY PARTS/SAME VALVES IN SERV. (MINIMUM)	QTY PARTS/SAME VALVES IN SERV. (MAXIMUM)	PREDICTED AVAILABILITY
I.	Disc	C	1 / 3	1 / 1	70%
	Guide Pin	C	1 / 3	1 / 1	
	Gasket (Set)				
	(1) Cap Gasket	C	1 / 3	1 / 1	
	(2) Guide Pin Gasket	C	1 / 3	1 / 1	
II.	(3) Bonnet Gasket	C	1 / 3	1 / 1	85%
	Disc Holder Assembly	C	1 / 8	1 / 5	
	1. Disc Holder				
	2. Lift Nut				
	3. Retainer Ring				
III.	Disc Holder	C	1 / 8	1 / 5	95%
	Spindle	C	1 / 8	1 / 5	
	Guide	C	1 / 8	1 / 5	
	Spring Assembly				
IV.	(1) Spring	C	1 / 8	1 / 5	99%
	(2) Spring Washer (2)	C	1 / 8	1 / 5	
	Adjusting Screw	C	1 / 8	1 / 5	
IV.	Adjusting Screw Nut	C	1 / 8	1 / 5	99%
	Cap (Select One):				
	1. Screwed	C	1 / 8	1 / 5	
	2. Plain Lever Asm.	C	1 / 8	1 / 5	
	(1) Cap Assembly				
	(1) Release Nut				
	(1) Lock Nut				
	3. Packed Lever Assembly	C	1 / 8	1 / 5	
(1) Cap Assembly					
(2) Release Nut					
(3) Lock Nut					



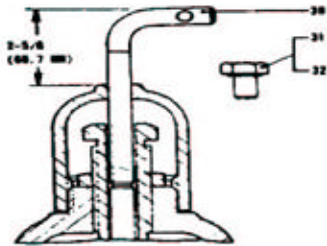
1970

Ref. No.	Nomenclature
1.	Base
2.	Disc
3.	Disc Holder
4.	Lift Nut
5.	Retainer Ring
6.	Guide
7.	Guide Pin
8.	Guide Pin Gasket
9.	Bonnet
10.	Bonnet Gasket
11.	Spindle
12.	Spring Washer
13.	Spring
	Types 1975c
	Types 1975t
14.	Adjusting Screw
15.	Adj. Screw Nut
16.	Screwed Cap
17.	Cap Gasket

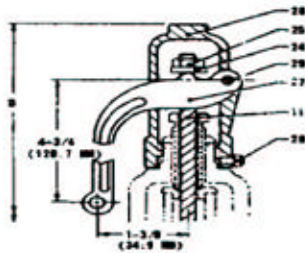


1975

CAPS

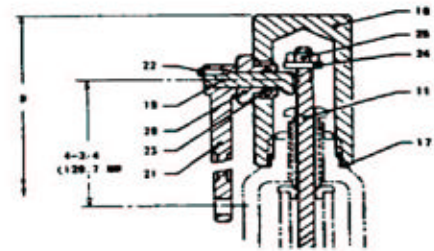


CAP WITH GAG



PLAIN CAP

Ref. No.	Nomenclature
18.	Packed Cap
19.	Cam Shaft
20.	Bushing
21.	Lever
22.	Drive Pin
23.	O-Ring
24.	Release Nut
25.	Release Locknut
26.	Plain Cap
27.	Lifting Lever
28.	Cap Screw
29.	Lever Pin
30.	Gag Bolt
31.	Gag Plug
32.	Gag Plug Gasket



PACKED CAP

CLASS - 1 CAP GASKETS - 1990-2990-3990-1970-1975 Series SRV's
Discontinued Design
Limited Availability of Parts

VALVE TYPE	GASKET MAT'L	1/2"	3/4"	1"	1-1/2"	2"
1970	316 SS		3620201	3620201	3620201	3620201
1975	316 SS	3610203	3610203			
1990-98	Soft Iron	3610103	3610103	3610103	3620101	3620101
2990-98	316 SS	3610203	3610203	3610203	3620201	3620201
3990-98	316 SS	3610203	3610203	3610203	3620201	3620201

CLASS - 1 BONNET GASKETS

VALVE TYPE	GASKET MAT'L	1/2"	3/4"	1"	1-1/2"	2"
	Soft Iron		3630101	3630101	3630202	3630202
1975	Soft Iron D7101 Filed	3610105	3610105	3610105		
1990-4-7-8	Grafoil Filled with Soft Iron	3691101	3691101	3691101	3630102	3630102
1991-2-3-4-5-6	Grafoil Filled with Soft Iron		3610106	3610118		
2990-4-7-8	Soft Iron D7101 Filed	3610105	3610105	3610105	3630202	3630202
2991-2-3-4-5-6	Grafoil Filled with Soft Iron		3691102	3610118		
3990-4-7-8	Soft Iron D7101 Filed	3610105	3610105	3610105	3630202	3630202
3991-2-3-4-5-6	Grafoil Filled with Soft Iron		3610106	3610118		

CLASS - 1 GUIDE PIN GASKETS

VALVE TYPE	GASKET MAT'L	1/2"	3/4"	1"	1-1/2"	2"
1970	316 SS		3600303	3600303	3600303	3600303
1975	316 SS	3601901	3601901	3601901		
1990-98	Soft Iron	3600201	3600201	3600201	None	None
2990-98	316 SS	3601901	3601901	3601901	None	None
3990-98	316 SS	3601901	3601901	3601901	None	None

**CLASS-IV-No. 12 CAPS 12A - Screwed Cap
1990-2990-3990-1970-1975 Series SRV's
Discontinued Design
Limited Availability of Parts**

VALVE TYPE	MAT'L	1/2"	3/4"	1"	1-1/2"	2"
1970	316 SS		0424702	0424702	0424702	0424702
1975	316 SS	0419002	0419002	0419002		
1990	C.S.	4469601	4469601	4469601	4039101	4039101
2990	C.S.	4469601	4469601	4469601	4039101	4039101
3990	316 SS	4469602	4469602	4469602	4039108	4039108

**CLASS-IV-No. 12 CAPS 12D-Plain Lever Assembly
1990-2990-3990-1970-1975 Series SRV's**

VALVE TYPE	MAT'L	1/2"	3/4"	1"	1-1/2"	2"
1970	316 SS		0343604	0343604	0343604	0343604
1975	316 SS	0567702	0567702	0556602		
1990	Iron	4514901	4514901	4514901	4515101	4515101
2990	-	None	None	None	None	None
3990	316 SS	4515001	4515001	4515001	4515201	4515201

**RELEASE LOCK NUT
FOR PLAIN LEVER ASSEMBLY**

VALVE TYPE	MAT'L	1/2"	3/4"	1"	1-1/2"	2"
1970	316 SS		1079403	1079403	1079403	1079403
1975	316 SS	1050702 On Appl.	1050702 On Appl.	1050702 On Appl.		
1990	C.S.	1050701	1050701	1050701	4466101	4466101
2990	-	None	None	None	None	None
3990	316 SS	1050702	1050702	1050702	4466102	4466102

**CLASS-IV-No. 12 CAPS 12A - Packed Lever Assembly
1990-2990-3990-1970-1975 Series SRV's
Discontinued Design
Limited Availability of Parts**

SRV/SPRL - 1/02
Effective June, 2002
Supercedes SRV / SPRL - 1/01
Dated April, 2001
Section 9, Page 8

VALVE TYPE	MAT'L	1/2"	3/4"	1"	1-1/2"	2"
1970	316 SS		0409402 On Appl.	0409402 On Appl.	0409402 On Appl.	0409402 On Appl.
1975	316 SS	0410302	0410302	0410302		
1990	C.S.	4514001	4514001	4514001	4514601	4514601
2990	C.S.	4514201	4514201	4514201	4514701	4514701
3990	316 SS	4514401	4514401	4514401	4514801	4514801

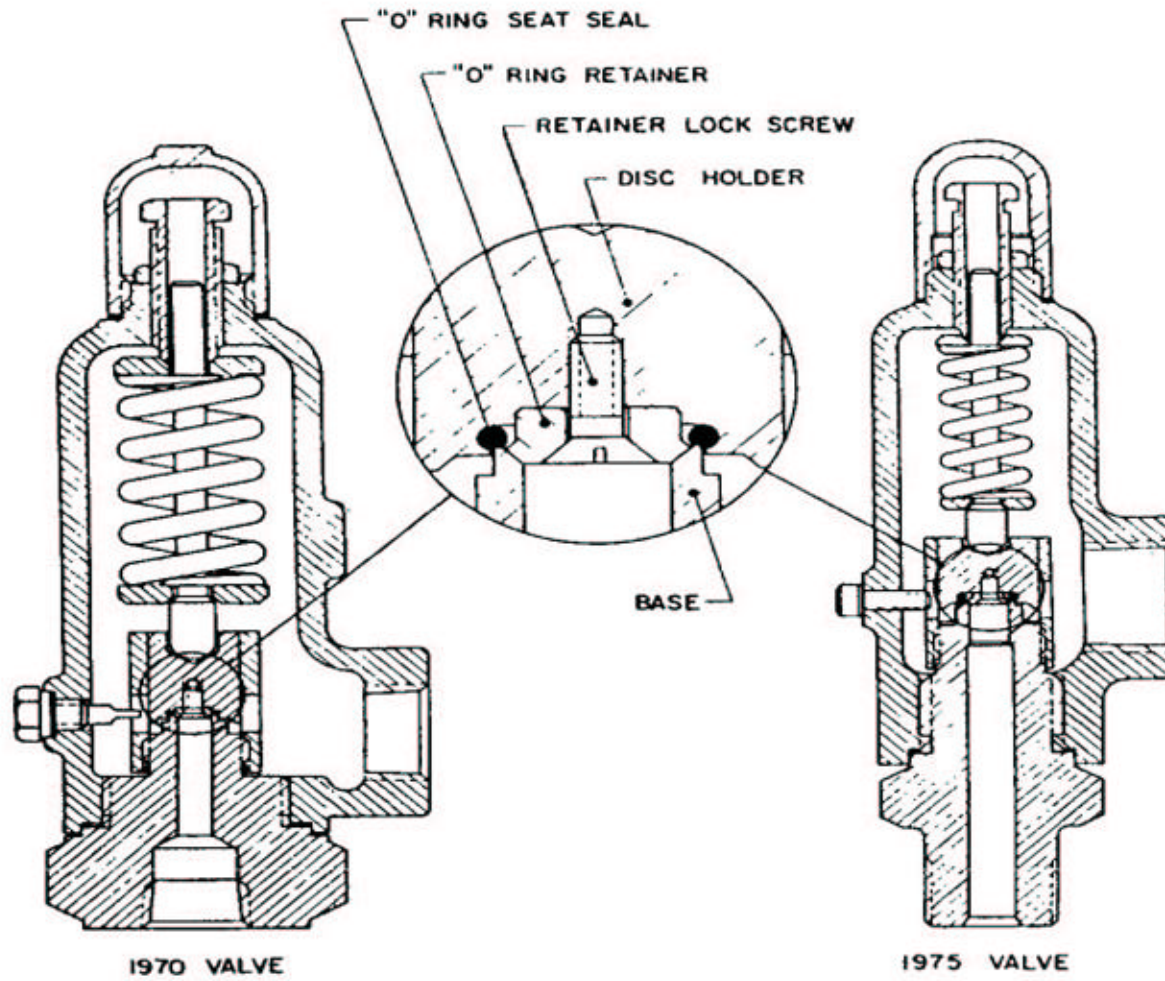
**RELEASE NUT
FOR PACKED LEVER ASSEMBLY**

VALVE TYPE	MAT'L	1/2"	3/4"	1"	1-1/2"	2"
1970	316 SS		1075903	1075903	1075903	1075903
1975	316 SS	1050702	1050702	1050702		
1990	C.S.	1050701	1050701	1050701	4466101	4466101
2990	C.S.	1050701	1050701	1050701	4466101	4466101
3990	316 SS	1050702	1050702	1050702	4466102	4466102

**RELEASE LOCK NUT
FOR PACKED AND PLAIN LEVER ASSEMBLY**

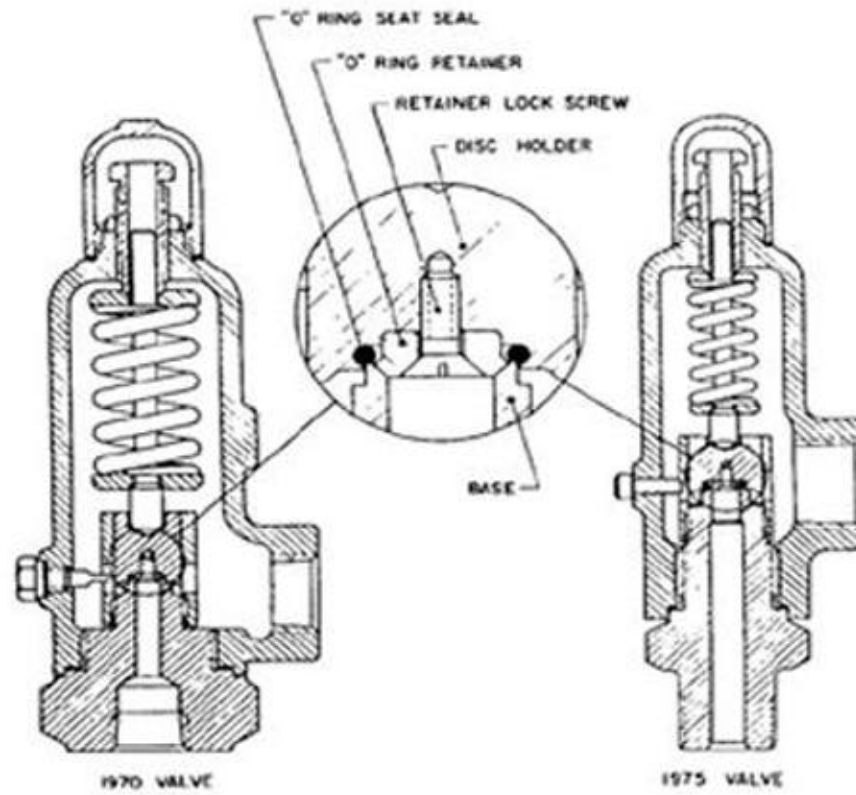
VALVE TYPE	MAT'L	1/2"	3/4"	1"	1-1/2"	2"
1970	316 SS		2210301	2210301	2210301	2210301
1975	316 SS	2210310	2210310	2210310		
1990	C.S.	2210110	2210110	2210110	2210103	2210103
2990	C.S.	2210110	2210110	2210110	2210103	2210103
3990	316 SS	2210310	2210310	2210310	2210303	2210303

O-RING SEAT SEAL



O-RING SEAT SEAL

1970 - 1975



**Recommended Spare Parts - Safety Relief Valves
1970 - 1975 Portables - O-Ring Seat Seal Design**

CLASS	PART NAME	O-RING SEAT SEAL	QTY PARTS/SAME VALVES IN SERV. (MINIMUM)	QTY PARTS/SAME VALVES IN SERV. (MAXIMUM)	PREDICTED AVAILABILITY
I.	O-RING (SELECT)	OR	1 / 3	1 / 1	70%
	O-RING Retainer	OR	1 / 8	1 / 5	
	Retainer Lock Screw	OR	1 / 3	1 / 1	
	Guide Pin	OR	1 / 3	1 / 1	
	Gasket (Set)				
	(1) Cap Gasket	OR	1 / 3	1 / 1	
	(2) Guide Pin Gasket	OR	1 / 3	1 / 1	
	(3) Bonnet Gasket	OR	1 / 3	1 / 1	
Spindle Retainer	OR	1 / 3	1 / 1		
II.	Disc Holder	OR	1 / 8	1 / 5	85%
	Spindle	OR	1 / 8	1 / 5	
	Guide	OR	1 / 8	1 / 5	
III.	Spring Assembly				95%
	(1) Spring	OR	1 / 8	1 / 5	
	(2) Spring Washer (2)	OR	1 / 8	1 / 5	
	Adjusting Screw	OR	1 / 8	1 / 5	
IV.	Adjusting Screw Nut	OR	1 / 8	1 / 5	99%
	Cap (Select One):				
	1. Screwed	OR	1 / 8	1 / 5	
	2. Plain Lever Assembly	OR	1 / 8	1 / 5	
	(1) Cap Assembly				
	(2) Release Nut				
	(3) Lock Nut				
3. Packed Lever Assembly	OR	1 / 8	1 / 5		
(1) Cap Assembly					
(2) Release Nut					
(3) Lock Nut					

Discontinued Design - Limited Parts Availability

SAFETY RELIEF VALVE SPARE PARTS REFERENCE LIST

1970 & 1975 SERIES SRV's
 O-RING SEAT SEAL DESIGN

*(PARTS UNIQUE TO THIS DESIGN)

PART DESCRIPTION	3/4" - 1970-1	1" 1970-1	1-1/2" 1970-1	2" 1970-2	1/2" 1975-2	3/4" 1975-2	1" 1975-2	
CLASS I								
1. O-RING			SEE SEPARATE COMPOSITE O-RING SHEET					
2. O-RING RETAINER								
316 SS	0599102	0599102	0727402	0727402	0533302	0533302	0533302	
3. RETAINER LOCK SCREW								
316 SS	2420502	2420502	2420502	2420502	2420503	2420503	2420503	
4. SPINDLE RETAINER								
316 SS PL & PKD	2410408	2410408	2410408	2410408	2410412	2410812	2410812	
CLASS II								
5. DISC HOLDER								
316 SS SCR	0598002	0598002	0727302	0727302	0533202	0533202	0533202	
316 SS PL & PKD	0610502	0610502	0730502	0730502	0610602	0610602	0610602	
6. SPINDLE								
316 SS SCR	0416203	0416203	0416203	0416203	0415902	0415902	0415902	
316 SS PL & PKD	0416303	0416303	0416303	0416303	0416103	0416103	0416103	
CLASS III								
7. BASE/NOZZLE								
316 SS	0598702 ON APPL.	0598802 ON APPL.	0730302 ON APPL.	-	1734302 ON APPL.	1734202 ON APPL.	1733202 ON APPL.	

*All classes of parts common to O-Ring Seat Seal Design and Metal Seat can be found on pages 15-16, Section 3.

Discontinued Design - Limited Parts Availability

O-RING COMPOSITE SHEET**1970-1975 SERIES SRV's****O-Ring Seat Seal Design*****(Parts Unique to this Design)**

ORIFICE SIZE	NITRILE/BUNA N			SILICONE			FLUORO-CARBON		TEFLON	KALREZ 4079
	**50	70	90	50	70		70	90		
3/4" X 1" 1970	31007113	31018113	31008113	31011113	31012113		31022113	31005113	31006113	31014113
1-1/2" X 2" 1970	31007118	31018118	31008118	31011118	31012118		31022118	31005118	31006118	31014118
1975	31007110	31018110	31008110	31011110	31012110		31022110	31005110	31006110	31014110

ORIFICE SIZE	ETHYLENE - PROPOLYENE			NEOPRENE		
	**50	70	90	50	70	
3/4" X 1" 1970	31001113	31019113	31002113	31009093	31010113	
1-1/2" X 2" 1970	31001118	31019119	31002102	31009098	31010118	
1975	31001110	31019110	31002110	31009090	31010110	

*All classes of parts common to O-Ring Seat Seal Design and Metal Seat Design can be found on pages 1-19, Section 9.

**These Numbers indicate durometer (Hardness) of material.

COMPLETE GUIDE CAN BE FOUND IN ORING SELECTION CHART EG-60 - REFER TO SPRING SELECTION CD-ROM OR CONTACT FACTORY

Discontinued Design - Limited Parts Availability