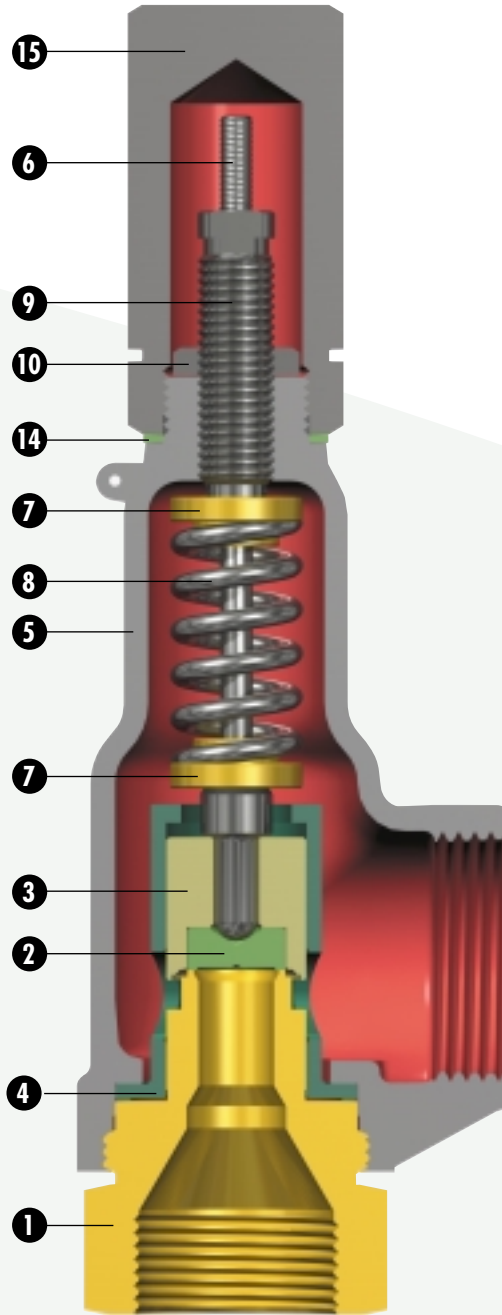


Materials



19000-2

Threaded End Connection

Extension, flange and nipples for flanged and socket-weld connections are not shown.

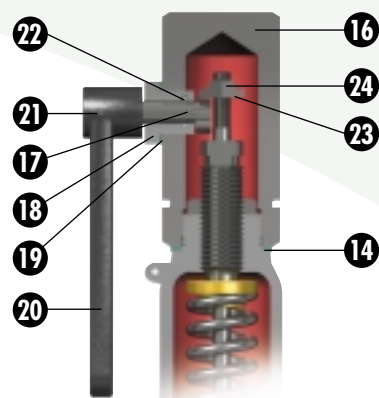
Materials

	Part	Material
1	Base L & M	316SS
	Base H	316 SS/Stellite Hardfaced Seat
2	Disc L & M	316SS
	Disc L & M (Steam)*	616SS
	Disc H	Inconel X750
3	Disc Holder	316SS
4	Guide	316SS
5	Bonnet	SA216 WCC Carbon Steel (phosphated)
6	Spindle L & M	316SS
	Spindle H	Inconel X750
7	Spring Washer	Carbon Steel (phosphated)
8	Spring 19000c	17-7 PH SS
	Spring 19000t	Inconel X750
9	Adjusting Screw	316SS
10	Adjusting Screw Locknut	316SS
11	Gag Bolt	Carbon Steel
12	Sealing Plug	Carbon Steel
13	Sealing Plug Gasket	Soft Iron
14	Cap Gasket	Soft Iron
15	Screwed Cap	Carbon Steel (phosphated)
16	Packed Cap	Carbon Steel (phosphated)
17	Cam Shaft	410SS
18	Bushing	416SS
19	Bushing Gasket	Soft Iron
20	Lever (Packed)	Malleable Iron
21	Drive Pin	Steel (Ni-Plated)
22	O-Ring	Viton 70
23	Release Nut	Carbon Steel
24	Release Lock Nut	Carbon Steel
25	Plain Lever Cap	Malleable Iron
26	Lifting Lever (Plain)	Malleable Iron
27	Cap Screw	Carbon Steel
28	Lever Pin	Carbon Steel

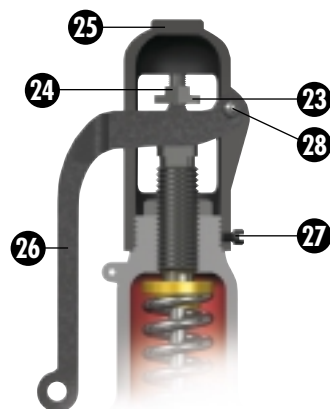
* Supplied for steam service above 251°F (121.7°C)

Sour Gas (SG) or NACE applications

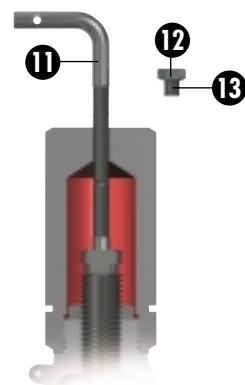
The 19000 valve materials are standard except for the spring, which will be Inconel X750, and for service temperatures that exceed 250°F, an Inconel X750 disc will be provided.



Packed Lever



Plain Lever



Cap with Gag

**XIX. Recommended Spare Parts
For Series 19000
Safety Relief Valves**

**TABLE XIV. A.
METAL TO METAL SEAT VALVES**

CLASS	PART NAME	Qty. Parts/Size, Type & Material Valves in Service	Need Coverage Probability
I	Disc Gaskets, Cap	1/1 1/1	70%
II	Disc Holder Spindle Guide	1/5 1/5 1/5	85%
III	Spring Assembly Compression Screw	1/5* 1/5	95%
IV	Compression Screw Locknut Cap (Specify Screwed, Packed, Plain) Release Nut (Used on Packed or Plain Lever Only) Release Locknut (Used on Packed or Plain Lever Only)	1/5 1/5 1/5 1/5	99%

* Consult Spring Selection Chart before ordering Springs to determine actual quantities required in view of pressure setting potential in each spring range.

YOUR SAFETY IS OUR BUSINESS!!!

DVD has not authorized any company or any individual to manufacture replacement parts for its valve products.

When ordering replacement valve parts, please specify in your purchase order: "ALL PARTS MUST BE DOCUMENTED AS NEW AND SOURCED FROM DRESSER VALVE DIVISION."

BE SURE! BE SURE!

SAFETY RELIEF VALVE SPARE PARTS REFERENCE LIST

19000-2 SERIES SRV (Metal Seat)

for -1 Metal Seat Design See Section 13

for -1 Soft Seat Design See Section 5(b)

LOW PRESSURE DESIGN - METAL SEAT						
PART DESCRIPTION	19096L	19110L	19126L	19226L	19357L	19567L
CLASS I						
1. DISC						
316 SS	5054501		5054601	5054701	5054801	5054901
616SS	5054506		5054606	5054706	5054806	5054906
Inconel	5054505		5054605	5054705	5054805	5054905
Monel						
Hastelloy - C						
2. CAP GASKET						
SOFT IRON	3610103			3620101		
Monel	3610503			3620501		
CLASS II						
3. DISC HOLDER						
316 SS	5055101		5055201	5055301	5055401	5055501
Monel						
Hastelloy - C						
4. SPINDLE						
316 SS	5055601			5055701	5055801	
Monel						
Hastelloy - C						
5. GUIDE						
316 SS	4837201	4837201	4837401	4838401	4837601	4837801
Monel						
Hastelloy - C						

SAFETY RELIEF VALVE SPARE PARTS REFERENCE LIST

19000-2 SERIES SRV (Metal Seat)

for -1 Metal Seat Design See Section 13

for -1 Soft Seat Design See Section 5(b)

LOW PRESSURE DESIGN - METAL SEAT						
PART DESCRIPTION	19096L	19110L	19126L	19226L	19357L	19567L
CLASS III						
6. SPRING	SELECT FROM SPRING CHART					
6A. SPRING WASHER						
CARBON STEEL (qty 2)	4842501			4842601	4842701	
316ss						
Monel						
Hastelloy - C						
7. ADJUSTING SCREW						
316 SS	5009801			4466202		
Monel						
Hastelloy - C						
8. BASE						
8A. BASE - MNPT						
316 SS	4838201	4838601				
1/2 * 1	5056001	5056101				
3/4 * 1	5059101	5058201	5056201			
1 * 1	5059201	5058301	5059301	5056301		
Monel						
Hastelloy - C						
8B. BASE - FNPT						
316 SS	5058601	5059001	5058701	5058801	5056401	5056501
Monel						
Hastelloy - C						
8C. BASE - SW						
316 SS				5061201	5061301	5061401
1/2 * 1	5060401	5060701				
3/4 * 1	5060501	5060801	5061001			
1 * 1	5060601	5060901	5061101			
Monel						
Hastelloy - C						

SAFETY RELIEF VALVE SPARE PARTS REFERENCE LIST

19000-2 SERIES SRV (Metal Seat)

for -1 Metal Seat Design See Section 13

for -1 Soft Seat Design See Section 5(b)

LOW PRESSURE DESIGN - METAL SEAT						
PART DESCRIPTION	19096L	19110L	19126L	19226L	19357L	19567L
8D. BASE - 150# R.F.						
316 SS*				5064101	5064201	5064301
1/2 * 1	5063301	5063601				
3/4 * 1	5063401	5063701	5063901			
1 * 1	5063501	5063801	5064001			
316 BASE / EXT / FLANGES						
1/2 * 1	5063302					
3/4 * 1	5063402					
1 * 1	5063502					
Monel						
1/2 * 1						
3/4 * 1						
1 * 1						
Hastelloy - C						
1/2 * 1						
3/4 * 1						
1 * 1						
* 316 SS BASE & EXTENSION W/CARBON STEEL FLANGE						

SAFETY RELIEF VALVE SPARE PARTS REFERENCE LIST

19000-2 SERIES SRV (Metal Seat)

for -1 Metal Seat Design See Section 13

for -1 Soft Seat Design See Section 5(b)

LOW PRESSURE DESIGN - METAL SEAT						
PART DESCRIPTION	19096L	19110L	19126L	19226L	19357L	19567L
CLASS IV						
9. ADJ. SCREW LOCK NUT						
316 SS	0554703	0554703	0554703	0554703	1077105	1077105
Monel						
Hastelloy - C						
10. CAPS & LEVERS						
10A. CAP-SCREWED						
CARBON STEEL	4808901			4039111		
316SS						
Monel						
Hastelloy - C						
10B. CAP-PLAIN LEVER Assembly						
CARBON STEEL	4890601			0343601		
316SS						
Monel						
Hastelloy - C						
10C. CAP-PACKED LEVER ASSEMBLY						
CARBON STEEL	4890801			4514601		
10D. RELEASE NUT-PLAIN						
CARBON STEEL	1050701			4466101		
10E. RELEASE NUT-PACKED						
CARBON STEEL	4810101			4466101		
316						
Monel						
Hastelloy - C						
10F. REL. L/NUT - PKD & PLN						
CARBON STEEL	2210110			2210103		
316 SS						
Monel						
Hastelloy - C						

SAFETY RELIEF VALVE SPARE PARTS REFERENCE LIST

19000-2 SERIES SRV (Metal Seat)

for -1 Metal Seat Design See Section 13

for -1 Soft Seat Design See Section 5(b)

MEDIUM PRESSURE DESIGN - METAL SEAT						
PART DESCRIPTION	19096M	19110M	19126M	19226M	19357M	19567M
CLASS I						
1. DISC						
316 SS	5054501		5054601	5054701	5054801	5054901
616SS	5054506		5054606	5054706	5054806	5054906
Inconel	5054505		5054605	5054705	5054805	5054905
Monel						
Hastelloy - C						
2. CAP GASKET						
SOFT IRON	3610103			3620101		
Monel	3610503			3620501		
CLASS II						
3. DISC HOLDER						
316 SS	5055101		5055201	5055301	5055401	5055501
Monel						
Hastelloy - C						
4. SPINDLE						
316 SS	5092501		5092501	5093001	5093201	5093201
Monel						
Hastelloy - C						
5. GUIDE						
316 SS	4839301		4961101	4961601	4961801	4961901
Monel						
Hastelloy - C						

SAFETY RELIEF VALVE SPARE PARTS REFERENCE LIST

19000-2 SERIES SRV (Metal Seat)

for -1 Metal Seat Design See Section 13

for -1 Soft Seat Design See Section 5(b)

MEDIUM PRESSURE DESIGN - METAL SEAT						
PART DESCRIPTION	19096M	19110M	19126M	19226M	19357M	19567M
CLASS III						
6. SPRING	SELECT FROM SPRING CHART					
6A. SPRING WASHER						
CARBON STEEL(QTY 2)	4842201		4842201	4890401		4842401
316 ss						
Monel						
Hastelloy - C						
7. ADJUSTING SCREW						
316 SS		4842001				4466202
Monel						
Hastelloy - C						
8. BASE						
8A. BASE - MNPT						
316 SS						
1/2 * 1	6000701	6001301				
3/4 * 1	5092401	5092701	5092801			
1 * 1	6001101	6001701	6002101	6002301		
Monel						
1/2 * 1						
3/4 * 1						
1 * 1						
Hastelloy - C						
1/2 * 1						
3/4 * 1						
1 * 1						
8B. BASE - FNPT						
316 SS	6000901	6001501	6001901	5092901	5093101	5093301
Monel						
Hastelloy - C						

All quantities are one except as noted in ().

SAFETY RELIEF VALVE SPARE PARTS REFERENCE LIST

19000-2 SERIES SRV (Metal Seat)

for -1 Metal Seat Design See Section 13

for -1 Soft Seat Design See Section 5(b)

MEDIUM PRESSURE DESIGN - METAL SEAT						
PART DESCRIPTION	19096M	19110M	19126M	19226M	19357M	19567M
8C. BASE - SW						
316 SS				6002401	6002501	6002601
1/2 * 1	6000801	6001401				
3/4 * 1	6001001	6001601	6002001			
1 * 1	6001201	6001801	6002201			
Monel						
1/2 * 1						
3/4 * 1						
1 * 1						
Hastelloy - C						
1/2 * 1						
3/4 * 1						
1 * 1						
8D. BASE - 300# R.F.						
*316 SS BASE & EXTENSION W/CARBON STEEL FLANGE				6056601	5044701	5065401
3/4 * 1	6023001	6022502	6026901			
1 * 1	6022901	6027001	6023301			
316 SS BASE / EXTENSION / FLANGE						
3/4 * 1		6022501				
1 * 1		6027002				
Monel						
3/4 * 1						
1 * 1						
Hastelloy - C						
3/4 * 1						
1 * 1						

SAFETY RELIEF VALVE SPARE PARTS REFERENCE LIST

19000-2 SERIES SRV (Metal Seat)

for -1 Metal Seat Design See Section 13

for -1 Soft Seat Design See Section 5(b)

MEDIUM PRESSURE DESIGN - METAL SEAT						
PART DESCRIPTION	19096M	19110M	19126M	19226M	19357M	19567M
8E. BASE - 600# R.F.						
*316 SS BASE & EXTENSION W/CARBON STEEL FLANGE				TBA	TBA	TBA
3/4 * 1	6023001	6022502		TBA	TBA	TBA
1 * 1	6022901	TBA	6023301			
316 SS BASE / EXTENSION / FLANGE						
3/4 * 1						
1 * 1						
Monel						
3/4 * 1						
1 * 1						
Hastelloy - C						
3/4 * 1						
1 * 1						
8F. BASE - 900# R.F.						
*316 SS BASE & EXTENSION W/CARBON STEEL FLANGE						
3/4 * 1						
1 * 1						
316 SS BASE / EXTENSION / FLANGE						
3/4 * 1						
1 * 1						
Monel						
Hastelloy - C						
8G. BASE - 1500# R.F.						
*316 SS BASE & EXTENSION W/CARBON STEEL FLANGE				TBA	TBA	TBA
3/4 * 1	TBA	TBA	TBA			
1 * 1	TBA	TBA	TBA			
316 SS BASE / EXTENSION / FLANGE						
3/4 * 1						
1 * 1						
Monel						
Hastelloy - C						

SAFETY RELIEF VALVE SPARE PARTS REFERENCE LIST

19000-2 SERIES SRV (Metal Seat)

for -1 Metal Seat Design See Section 13

for -1 Soft Seat Design See Section 5(b)

MEDIUM PRESSURE DESIGN - METAL SEAT						
PART DESCRIPTION	19096M	19110M	19126M	19226M	19357M	19567M
CLASS IV						
9. ADJ. SCREW LOCK NUT						
316 SS	4834101			1077105		
Monel						
Hastelloy - C						
10. CAPS & LEVERS						
10A. CAP-SCREWED						
CARBON STEEL	4808901			4039111		
316SS						
Monel						
Hastelloy - C						
10B. CAP-PLAIN LEVER						
CARBON STEEL	4890601			0343601		
10C. CAP-PACKED LEVER						
CARBON STEEL	4890801			4514601		
10D. RELEASE NUT-PLAIN						
CARBON STEEL	1050701			4466101		
10E. RELEASE NUT-PACKED						
CARBON STEEL	4810101			4466101		
316SS						
Monel						
Hastelloy - C						
10F. REL. L/NUT - PKD & PLN						
CARBON STEEL	2210110			2210103		
316SS						
Monel						
Hastelloy - C						

SAFETY RELIEF VALVE SPARE PARTS REFERENCE LIST

19000-2 SERIES SRV (Metal Seat)

for -1 Metal Seat Design See Section 13

for -1 Soft Seat Design See Section 5(b)

HIGH PRESSURE DESIGN - METAL SEAT					
PART DESCRIPTION	3/4 x 1-19096H	3/4 x 1 19110H	3/4 x 1-19126H	1 x 1 1/2-19226H	
CLASS I					
1. DISC					
Inconel X-750	5097301		5097901	5098301	
Monel					
Hastelloy - C					
2. CAP GASKET					
SOFT IRON	3610103		3620101		
Monel	3610503		3620501		
CLASS II					
3. DISC HOLDER					
Inconel X-750	5097501		5098101	5098501	
Monel					
Hastelloy - C					
4. SPINDLE					
Inconel X-750	5097401		5098001	5098001	
Monel					
Hastelloy - C					
5. GUIDE					
316 SS	4838701		4961401	4961501	
CLASS III					
6. SPRING	SELECT FROM SPRING CHART				
6A. SPRING WASHER					
CARBON STEEL (2)	4890401		4890501		
Monel					
Hastelloy - C					
7. ADJUSTING SCREW					
316 SS	4842001		0269703		
Monel					
Hastelloy - C					

SAFETY RELIEF VALVE SPARE PARTS REFERENCE LIST

19000-2 SERIES SRV (Metal Seat)

for -1 Metal Seat Design See Section 13

for -1 Soft Seat Design See Section 5(b)

HIGH PRESSURE DESIGN - METAL SEAT						
PART DESCRIPTION	3/4 x 1-19096H	3/4 x 1 19110H	3/4 x 1-19126H	1 x 1 1/2-19226H		
8. BASE						
8A. BASE - FNPT						
316 SS W/STELLITE SEAT	5097601	5097701	5098201	5098601		
Monel						
Hastelloy - C						
8B. BASE - SW						
316 SS W/STELLITE SEAT	6003301	6003401	6003501	6003601		
Monel						
Hastelloy - C						
8C. BASE - 1500# R.F.						
316 SS W/STELLITE SEAT *	TBA	TBA	TBA	TBA		
* 316 SS BASE & EXTENSION W/CARBON STEEL FLANGE						
W/ SS FLANGE						
Monel						
Hastelloy - C						
8D. BASE - 2500# R.F.						
316 SS W/STELLITE SEAT *	TBA	TBA	TBA	TBA		
* 316 SS BASE & EXTENSION W/CARBON STEEL FLANGE						
W/ SS FLANGE						
Monel						
Hastelloy - C						

SAFETY RELIEF VALVE SPARE PARTS REFERENCE LIST

19000-2 SERIES SRV (Metal Seat)

for -1 Metal Seat Design See Section 13

for -1 Soft Seat Design See Section 5(b)

HIGH PRESSURE DESIGN - METAL SEAT						
PART DESCRIPTION	3/4 x 1-19096H	3/4 x 1 19110H	3/4 x 1-19126H	1 x 1 1/2-19226H		
CLASS IV						
9. ADJ. SCREW LOCK NUT						
316 SS	4834101		0263103			
Monel						
Hastelloy - C						
10. CAPS & LEVERS						
10A.CAP-SCREWED						
CARBON STEEL	4808901		4039111			
316SS						
Monel						
Hastelloy - C						
10B.CAP-PLAIN LEVER						
CARBON STEEL	4890601		0343601			
10C.CAP-PACKED LEVER						
CARBON STEEL	4890801		4514601			
10D. RELEASE NUT-PLAIN						
CARBON STEEL	1050701		4466101			
10E. RELEASE NUT-PACKED						
CARBON STEEL	4810101		4466101			
10F. REL. L/NUT - PKD & PLN						
CARBON STEEL	2210110		2210103			
316SS						
Monel						
Hastelloy - C						